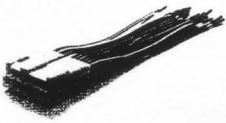


BEST KITS & HARNESSSES

Use Best Harnesses to simplify all your installations. The harnesses pictured below are designed to work with GM vehicles.



BHA16771 for 1978 to 1990 vehicles.



BHA1858 for 1988 & up vehicles.

BKGM4 Applications

This kit includes brackets for the following applications. Please note that this kit can be used with the factory supplied radio brackets for the applications not listed here.

'84-up Astro/Safari Van	'97-up Montana
'91-96 Beretta, Corsica	'86-88 Monte Carlo
'85-86 Bonneville	'95-up Monte Carlo
'94-up Bonneville	'85-88 Nova
'82-up Camaro	'83-84 Omega, Caballero
'91-96 Caprice, Roadmaster	'82-91 Pontiac 6000
'82-up Cavalier	'95-up Pickup-Fullsize, Sierra, Suburban, Tahoe, Yukon
'82-88 Cimmaron	'82-93 S-10, S-15, Blazer, Jimmy
'86-87 El Camino	'98-up S-10, Sonoma, Blazer, Jimmy, Bravada, Isuzu Hombre
'84-88 Fiero	'91-94 Saturn
'82-up Firebird, Trans Am	'90-up Silhouette
'96-up Grand Am	'82-85 Sunbird
'85-87 Grand Prix	'95-up Sunfire
'90-up Grand Prix	'90-up Transport / Montana
'95-96 Impala SS	'88-up Van-Full Size
'82-84 J2000, J2200	'97-up Venture
'90-up Lumina	
'90-96 Lumina APV	
'97-up Malibu	

BEST KITS & HARNESSSES

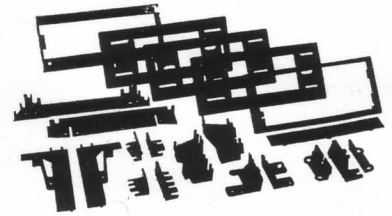
BK-GM4

See Rear Panel for Complete List of Vehicle Applications

Replaces 1982 & up factory "J" body panel radio. Includes OEM style brackets for the applications listed on rear panel.

13160 56th Court • Clearwater, Florida • 33760

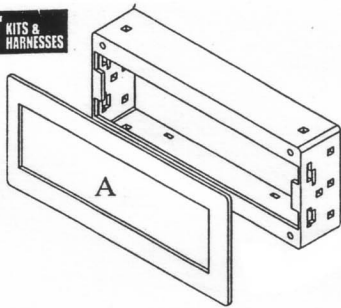
Thank you for purchasing the finest GM universal kit available. It is designed to allow the professional installer to mount and install the factory brackets without modification to the kit, providing a perfect fit and finish. We didn't design the kit, you did! If you have any comments or suggestions please call us at 1-727-572-9255.



Tools Required

Cutters • Adjustable Wrench • Phillips Screw Driver

BEST KITS & HARNESSSES

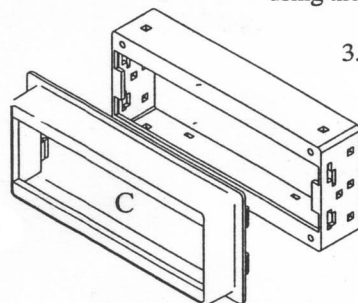
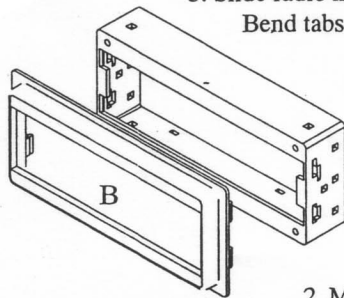


Select the extension that best fits your installation application.

Choose from:

- (A) flat trimplate
- (B) 1/2" trimplate
- (C) 1" trimplate

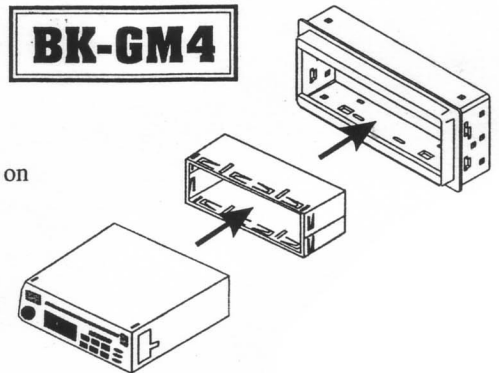
All trimplates will snap fit into base. You may use #8 pan head screws to attach B & C more securely to the base.



Mounting DIN Radios

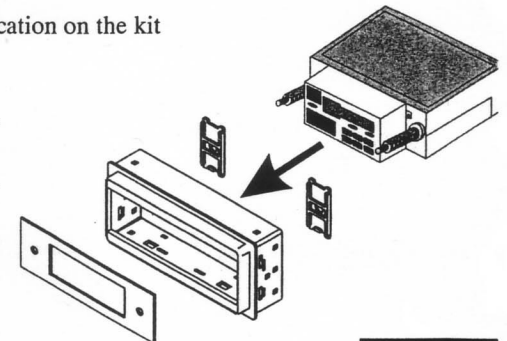
1. Remove brackets from factory radio or use replacement brackets included with the kit.
2. Mount factory brackets to same relative location on the kit using the carriage bolts supplied.
3. Slide radio mounting sleeve into opening. Bend tabs to secure sleeve in place.
4. Slide radio into sleeve.

BK-GM4



Mounting Shaft Radios

1. Remove brackets from factory radio or use replacement brackets included with the kit.
2. Mount brackets to same relative location on the kit using the carriage bolts supplied.
3. Snap shaft mounts into kit.
4. Slide radio into back side of kit.
5. Slide shaft trimplate onto shafts.
6. Secure with shaft nuts.



BEST KITS & HARNESSSES