

IW T3Y 200

Technical Sheet

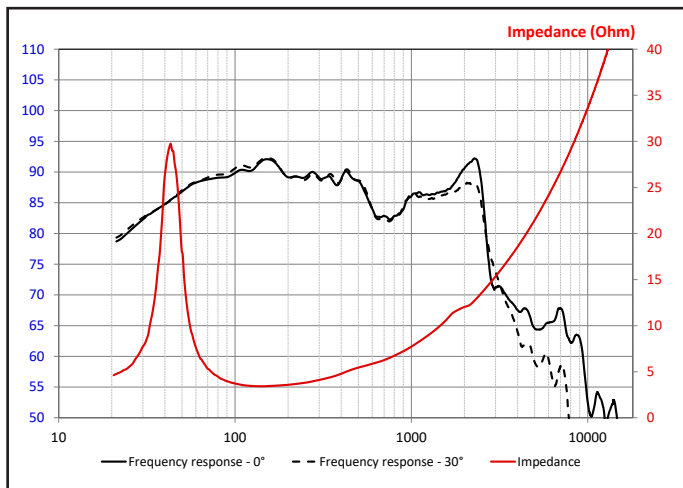
Woofer



SPECIFICATIONS

Nominal power	75W RMS
Maximum power	150W
Sensitivity	91dB
Nom. impedance	4Ω
Frequency response	40Hz - 1,500Hz
Cone	Flax
Surround	Butyl
VC diameter	38mm 1 ¹ / ₂ "
Net weight	850g
Depth	1 ¹ / ₄ " (31mm)
Cone diameter	200mm (8")
Magnet	Neodymium

FREQUENCY RESPONSE/IMPEDANCE

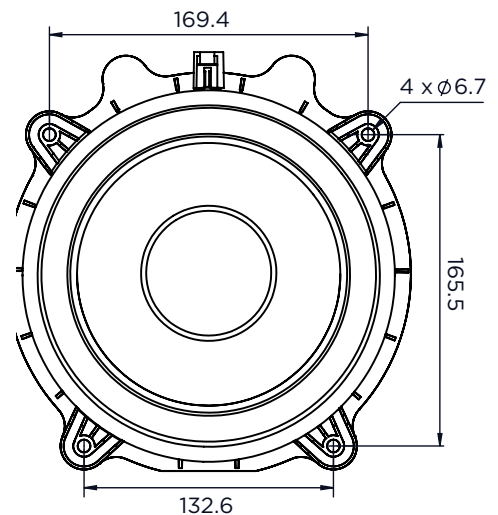
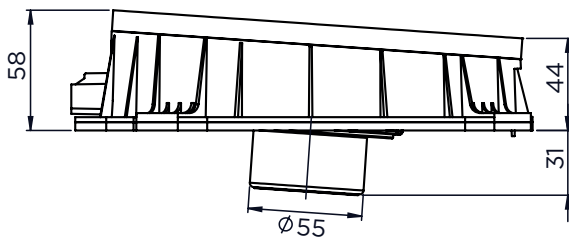


PARAMETERS

Rdc	3.2Ω
Fs	40Hz
Mms	30g
Cms	0.5mm/N
Vas	35.7l
Qts	0.6
Qes	0.64
Qms	8.5
Bxl	6N/A
Sd	221cm ²

MECHANICAL DRAWING

Dimensions in mm



FOCAL® *INSIDE*

Focal® is a trademark of Focal-JMLab® - www.focal.com - SCLC - 29/06/2023 - v2

 **FOCAL**®