

TWEETER MBZ

Technical Sheet

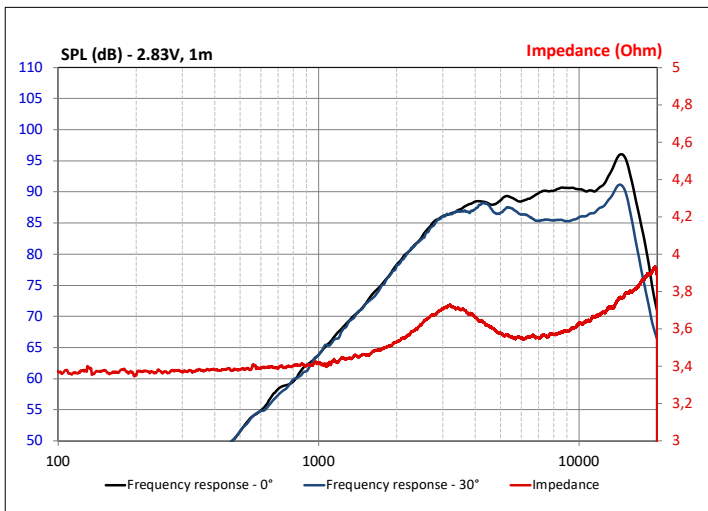
Tweeter



SPECIFICATIONS

Nominal power	15W
Maximum power	100W
Sensitivity	91dB
Nom. impedance	4 Ω
Cone	Alu
DC resistance	3.4 Ω
VC diameter	20mm 0.8"
Former	Kapton
Layers	2
Wire	Alu
Net weight	40g 0.08 lbs

FREQUENCY RESPONSE/IMPEDANCE

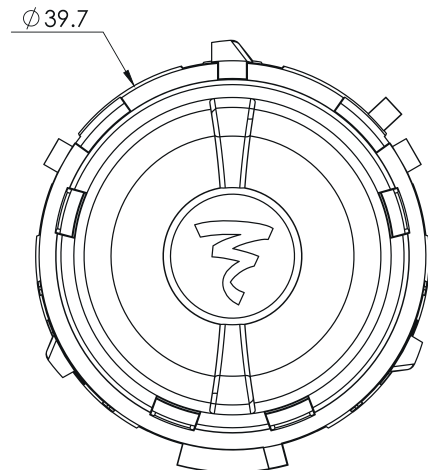
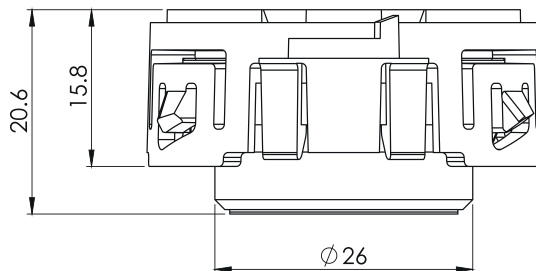


PARAMETERS

Rdc	3.5 Ω
Fs	3200Hz
SPL	88dB

MECHANICAL DRAWING

Dimensions in mm



FOCAL® INSIDE

Focal® is a trademark of Focal-JMLab® - www.focal.com - SCCG - 12/11/2020 - v1

FOCAL®