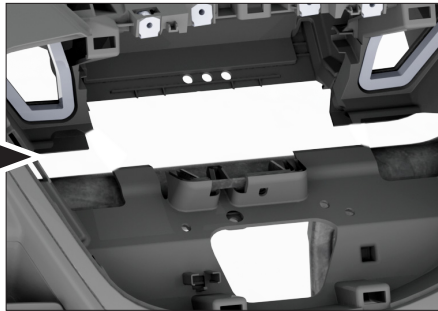
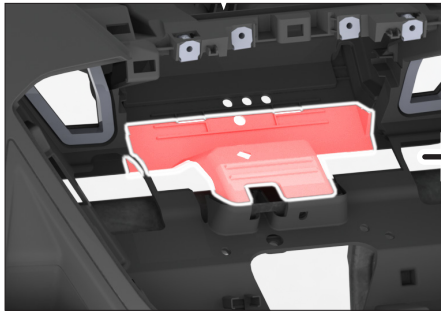
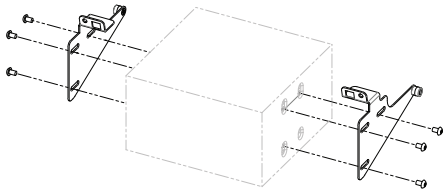


9. Cut away plastic in order to clear space for double DIN head unit



10. Attach metal mounting brackets to double DIN head unit



Connect all required circuit points and fix double DIN head unit on dash board



11. Place facia plate
Re-install top cover in order to finish installation



Installation Manual Double DIN Kit

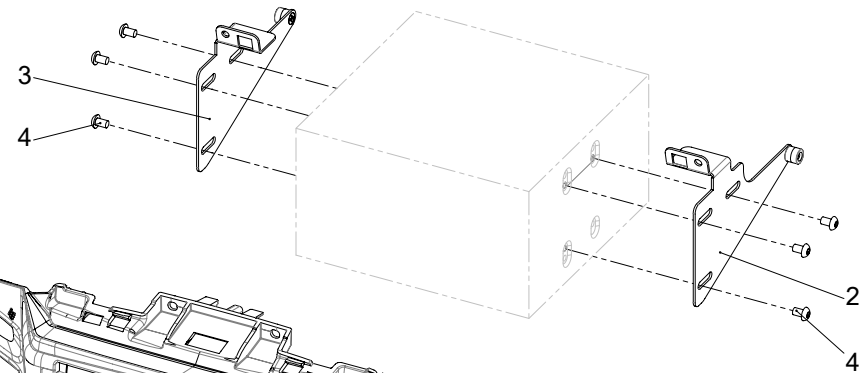
colour:	part-no.:
Phoenix Silver	381114-26-1
Nebula Glossy	381114-26-2
Pegasus	381114-26-3

- **Ford Transit Custom (FCC) 11/2012->**
- **Ford Tourneo Custom (FAC) 11/2012->**

Info: „PASSENGER AIRBAG“ display (FORD-No.: 01799698)
and „HAZARD LIGHT SWITCH“ (FORD-No.: 1519127)
depending on the type of OEM headunit are required

Compatible with these double DIN devices

Double-DIN Navigation



Kit Content

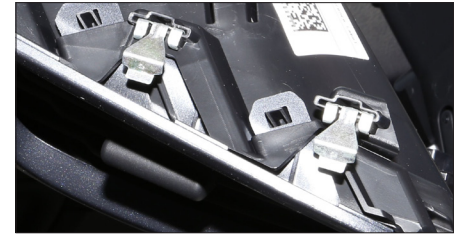
- (1) facia plate
- (2) mounting bracket right
- (3) mounting bracket left
- (4) flat headed screw



1. Ford Transit OEM dashboard



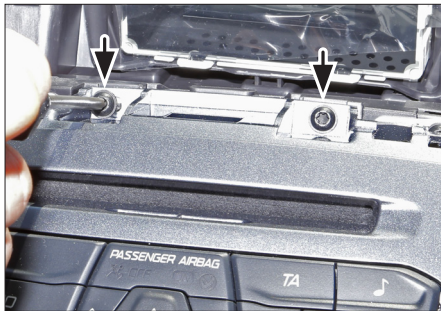
5. Unclip air vents from OEM panel



2. Unclip and remove top cover (see arrows)



6. Mount air vents to new fascia plate



3. Remove 2 torx screws (see arrows)



7. Depending on type of OEM head unit remove „HAZARD LIGHT SWITCH“ and „PASSENGER AIRBAG“ display



4. Remove OEM head unit by pulling it towards your direction



8. Mount „HAZARD LIGHT SWITCH“ and „PASSENGER AIRBAG“ display to new fascia plate