



## INSTALLATION INSTRUCTIONS FOR PART 95-8226B

### APPLICATIONS

# Toyota Prius 2010-up 95-8226B

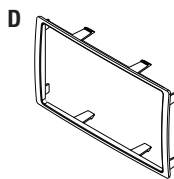
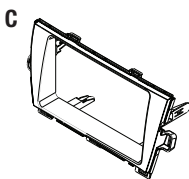
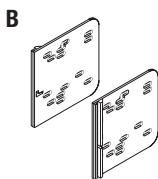
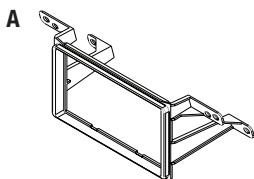
### KIT FEATURES

- DDIN head unit provision
- Stacked ISO DIN head unit provision
- Painted scratch resistant Matte Black



### KIT COMPONENTS

- A) DDIN Radio Housing • B) DDIN Brackets • C) Radio Housing Trim Panel • D) Trim Plate



### WIRING & ANTENNA CONNECTIONS (Sold Separately)

Wiring Harness:

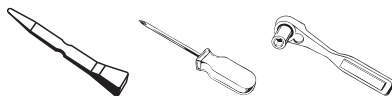
- 70-1761 Toyota harness 1987-up
- TYTO-01 Toyota premium sound interface 2003-up

Antenna Adapter:

- Not Required

### TOOLS REQUIRED

Panel Removal Tool • Phillips Screwdriver • Socket Wrench



**METRA. THE WORLD'S BEST KITS.™**



**1-800-221-0932**



**metraonline.com**

© COPYRIGHT 2004-2011 METRA ELECTRONICS CORPORATION



95-8226B

## Table of Contents

### Dash Disassembly

– Toyota Prius 2010-up ..... 3

### Kit Assembly

– DDIN/stacked ISO head unit provision ..... 4

### Caution

*Metra recommends disconnecting the negative battery terminal before beginning any installation. All accessories, switches, and especially air bag indicator lights must be plugged in before reconnecting the battery or cycling the ignition.*

*\*NOTE: Refer also to the instructions included with the aftermarket radio.*



#### KNOWLEDGE IS POWER

Enhance your installation and fabrication skills by enrolling in the most recognized and respected mobile electronics school in our industry. Log onto [www.installerinstitute.com](http://www.installerinstitute.com) or call 800-354-6782 for more information and take steps toward a better tomorrow.



**Metra recommends MECP certified technicians**

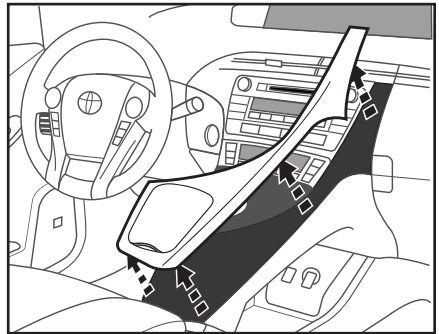
## Dash Disassembly

1. Unsnap and remove the shifter trim. (Figure A)
2. Unsnap and remove the console panel (*extends from the pocket up the passenger side to the upper vents*). (Figure B)
3. Unsnap the ignition button trim panel (*not necessary to remove*). (Figure C)
4. Unsnap and remove the radio/ climate trim panel. (Figure C)
5. Remove (4) 10 mm bolts to remove the radio.

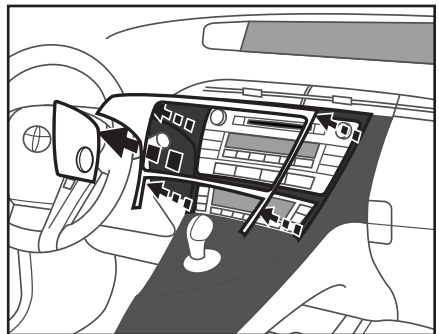
*Continue to kit assembly*



(Figure A)



(Figure B)



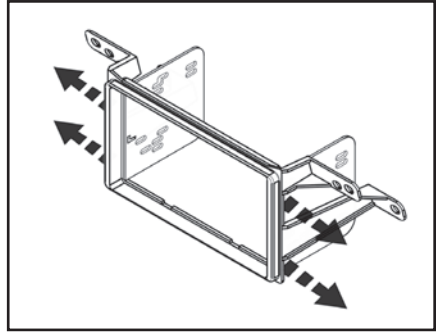
(Figure C)



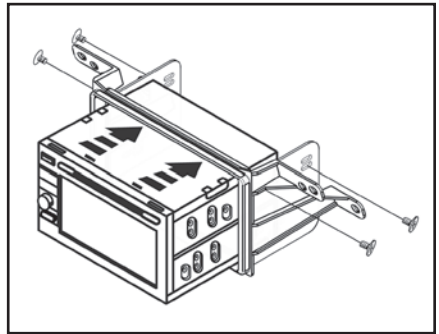
## Kit Assembly 95-8226B

### DDIN/stacked ISO DIN head unit provision

1. Locate the factory wiring harness in the dash. Metra recommends using the proper mating adapter from Metra or AXXESS. Re-connect the negative battery terminal and test the unit for proper operation.
2. Attach the Double DIN brackets to the Double DIN housing. (Figure A)
3. Slide the Double DIN head unit or stacked ISO head units into the bracket/radio housing assembly and secure the Double DIN head unit or stacked ISO head units to the assembly using the screws supplied with the radio. (Figure B)
4. Snap the trim plate into the radio housing.
5. Mount the radio housing/radio into the dash, snap the radio housing trim panel into position.
6. Reassemble dash in reverse order of disassembly.



(Figure A)



(Figure B)





**Notes**

20 horizontal lines for taking notes.





## INSTALLATION INSTRUCTIONS FOR PART 95-8226B

REV. 6/02/11

**METRA. THE WORLD'S BEST KITS.™**



**1-800-221-0932**



**metraonline.com**

© COPYRIGHT 2004-2011 METRA ELECTRONICS CORPORATION