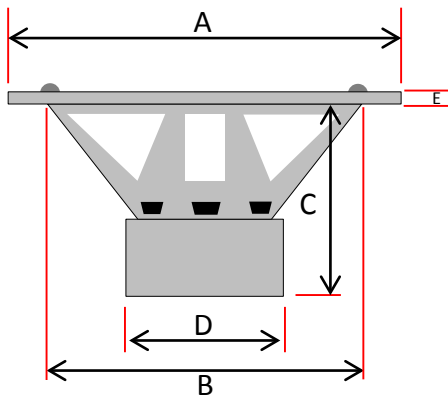




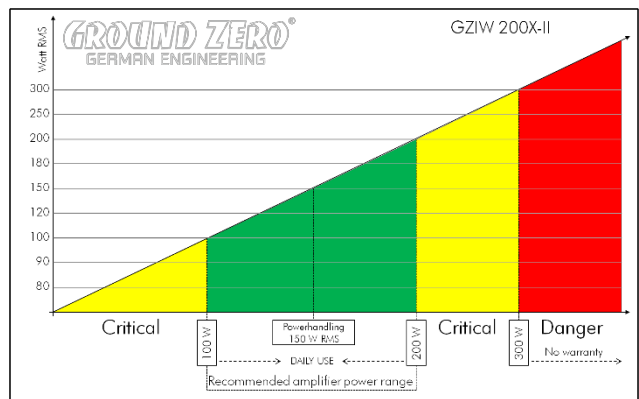
TECHNICAL SPECIFICATIONS

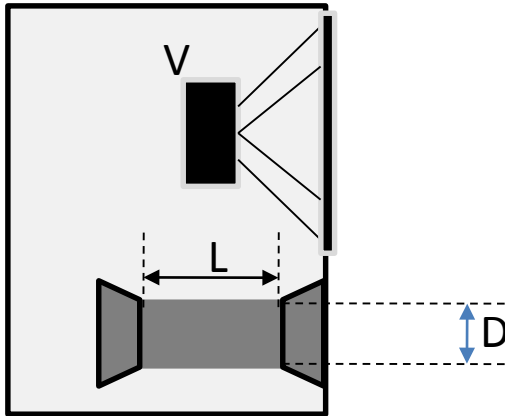
Product name	GZIW 200X-II
Product type	Subwoofer chassis
H.Art .nr.	113143
Diameter	211 mm / 8.31" 215mm / 8.46" incl Gasket
Mounting diameter	182 mm / 7.17"
Mounting depth	101 mm / 3.98"
Magnet dimension	120 x 20 mm
Total weight	2,5 KG
Voice coil diameter	38 mm / 1,5" Round Wire
Voice coil winding height	20 mm / 0.7874"
Voice coil wire material	Copper
Voice coil former material	Kapton
Top plate height	6 mm / 0.23622"
Linear excursion (one direction)	7 mm / 0.2756 "
Effective Xmax	12 mm / 0.47"
Top Plate and T-Yoke color	Black
Basket material	Steel
Basket color	Black high gloss
Spider	Polycot
Surround	Rubber
Cone	IMPP
Dustcap	Convex IMPP with 3D Logo
Magnetcover	PVC Boot

Gasket	PVC
Terminal	Push terminal
Power handling	150 W rms
Impedance	4 Ohm
Re	3.4 Ohm
Res	19 Ohm
FS	38.4 Hz
Qms	6.01
Qes	0.52
Qts	0.48
Rms	8.9 kg/s
Cms	0.42 mm/N
Mms	40.8 gr
BL	8.0 N/A
SPL	87 dB
VAS	27 L / 0.95 cu.ft
Le	1.38 mH
Recommended freq. response	45– 150 Hz
Recommended amplifier power	100–200 WRMS @ 4 Ohm (1 Ohm)
Sound Quality	☺ (max. ☺☺☺☺☺☺☺)
SPL Competition	☺ (max. ☺☺☺☺☺☺☺)
Low bass performance 20-50Hz	☺ (max. ☺☺☺☺☺☺☺)
Mid bass performance 50-80Hz	☺ (max. ☺☺☺☺☺☺☺)

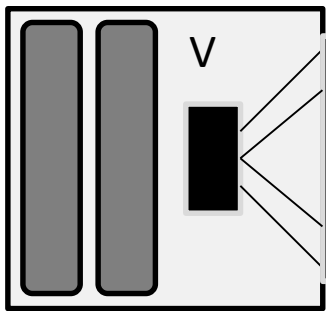


A	211 mm / 8.31" 215mm / 8.46" incl. Gasket
B	182 mm / 7.17"
C	101 mm / 3.98"
D	120 mm / 4.72" 134 mm / 5.28" incl. Boot
E	15 mm / 0.59"



BOX RECOMMENDATION

Small vented box

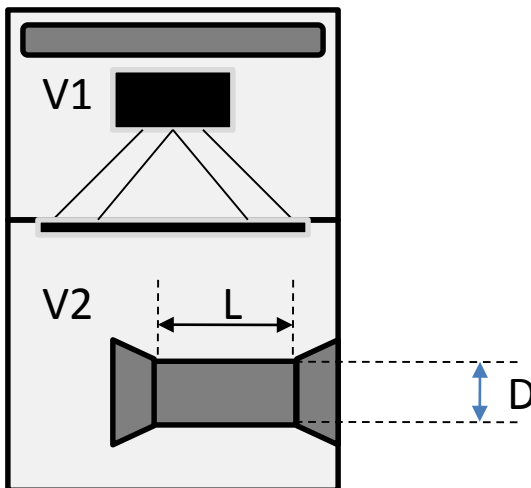
V: 15 L / 0.53 cu.ft
 D: 70 mm / 2.76"
 L: *210 mm / 8.27"
 No damping


Medium vented box

V: 20 L / 0.706 cu.ft
 D: 70 mm / 2.76"
 L: *250 mm / 9.85"
 No damping

Sealed box

9 - 15 L / 0.32 – 0.53 cu.ft
 Qtc. 0.96- 0.80
 40 - 60% polyester wool


Medium size bandpassbox

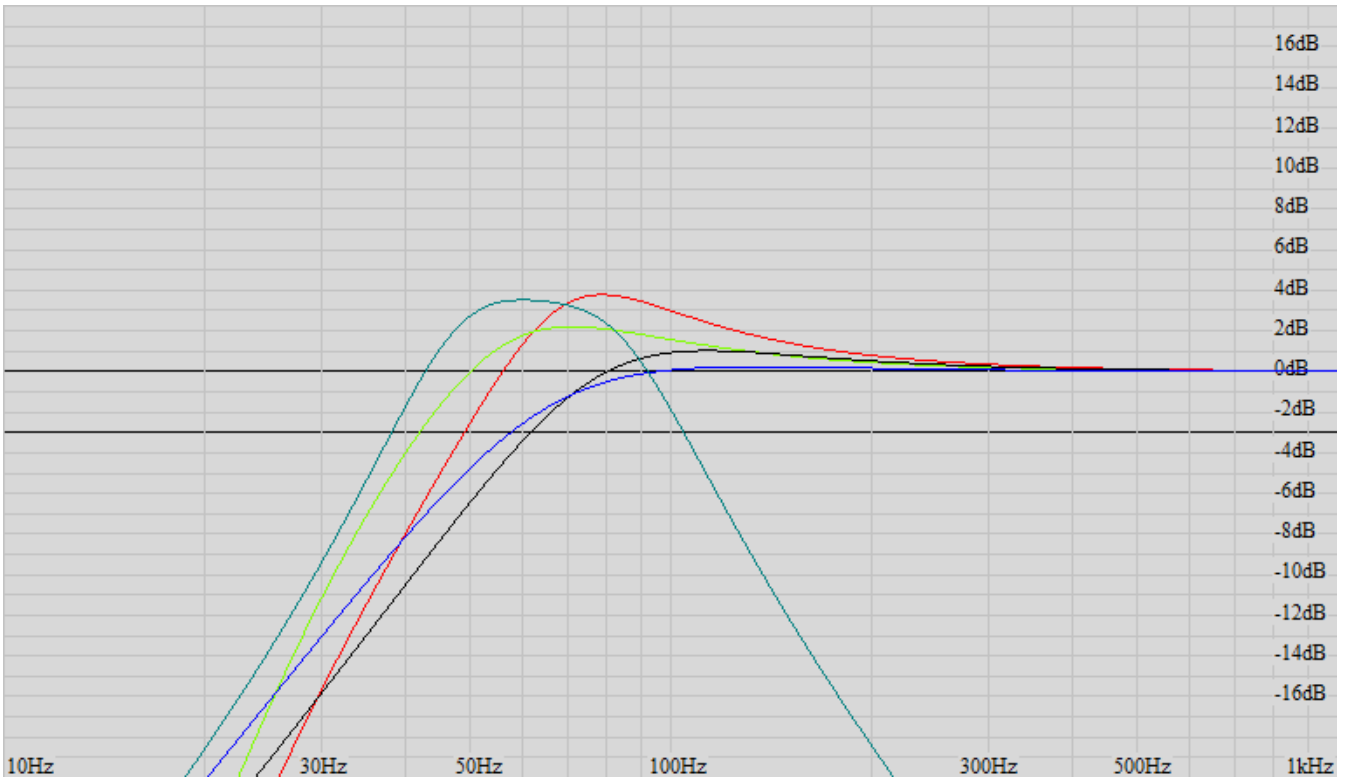
V1: 15 L / 0.529 cu.ft
 V2: 15 L / 0.529 cu.ft
 D: 70 mm / 2.76"
 L: 130 mm / 5.12"

20% polyester wool in V1
 No damping in V2

Die hier aufgeführten Gehäusevorschläge sind nur einige, der möglichen Varianten.
 Bitte beachten Sie zudem, dass die finale Abstimmung, speziell die Port Längen je nach Fahrzeug und eigenem Geschmack variiert werden sollte.
Above-mentioned enclosure recommendations are just a few possible variations.
Please note that you should find the perfect tuning, especially port length, based on your car and own taste.



BOX RECOMMENDATION



Curve	Type	Volume	F3/ Qtc
Red	Vented small	15 L / 0.53 cu.ft	49.4 Hz
Lightgreen	Vented medium	20 L / 0.706 cu.ft	42 Hz
Black	Sealed	9 L / 0.32 cu.ft	61.7Hz / 0.96
Blue	Sealed	15 L / 0.53 cu.ft	57.8 Hz / 0.80
Darkgreen	Bandpass 4th order	V1: 15 L / 0.529 cu.ft V2: 15 L / 0.529 1 cu.ft	Centerfreq. 63 Hz

Die hier aufgeführten Gehäusevorschläge sind nur einige, der möglichen Varianten.
 Bitte beachten Sie zudem, dass die finale Abstimmung, speziell die Port Längen je nach Fahrzeug und eigenem Geschmack variiert werden sollte.
*Above-mentioned enclosure recommendations are just a few possible variations.
 Please note that you should find the perfect tuning, especially port length, based on your car and own taste.*

